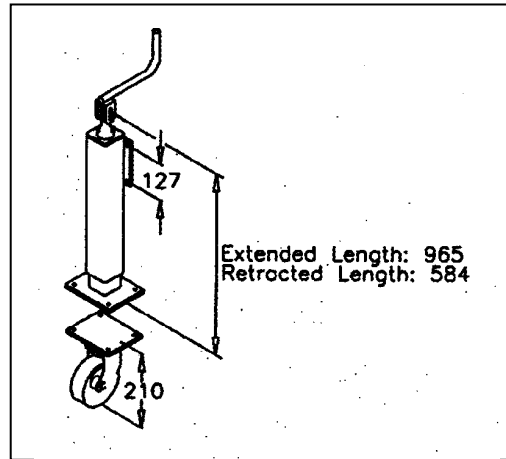
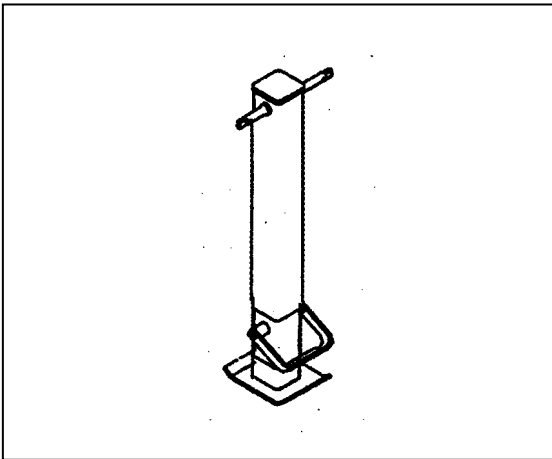


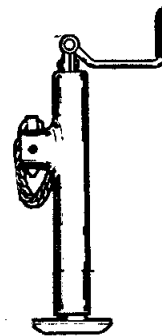
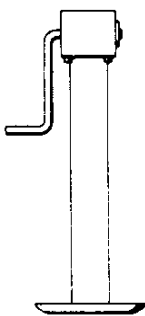
Barry Stoodley Pty Ltd

LANDING GEAR LIGHT COMMERCIAL



DUAL PIN DROP LEG	LG700
STATIC CAPACITY	9090kg
LIFT CAPACITY	134Nm
45.5KG INPUT TORQUE	5682kg
CRANK TRAVEL	305mm
DROP LEG TRAVEL	355mm
CRANK TURNS PER 25mm TRAVEL	8.75
RETRACTED LENGTH	619mm
EXTENDED LENGTH	1279.5mm
FOOT PAD DIMENSION	228.6X228.6
WEIGHT	30kg

DOLLY JACK WITH WHEEL	HC3J
STATIC CAPACITY	454kg
LIFT CAPACITY	227kg
TRAVEL	381mm
CRANK TURNS PER 25mm TRAVEL	4mm
RETRACTED LENGTH	568mm
EXTENDED LENGTH	949mm
WHEEL HEIGHT	210mm
WEIGHT	18kg



PARKING JACK WITH VERTICAL HANDLE C/W DROP LEG	4000
STATIC CAPACITY	4000
CRANK TRAVEL	300
FOOT PAD DIMENSION	220
RETRACTED LENGTH	500

TOP WIND TUBE MOUNT	SJ4
STATIC CAPACITY	1350
CRANK TRAVEL	254
RETRACTED LENGTH	430

Barry Stoodley Pty Ltd

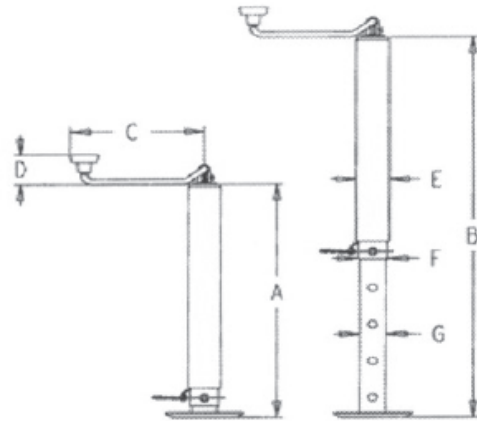
JOCKEY LEGS



Part Number: BPC 0091310

2-1/2" Square Tube Jack
Top Wind 26" Travel

Capacity: 7000lbs
Weight: 12.5lbs



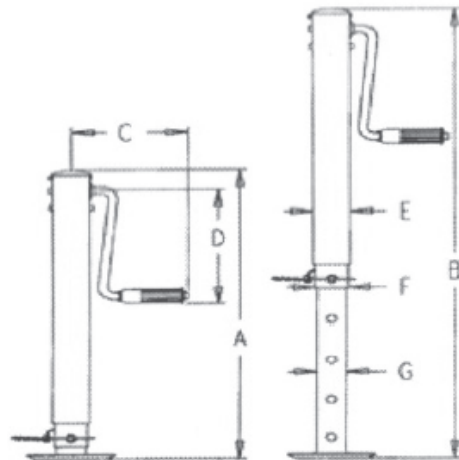
Part No	A Retracted	A Extended	B Retracted	B Extended	C	D	E	F	G
0091310	22.38"	38.0"	36.0"	51.63"	10.0"	2.75"	2.50"	2.25"	2.0"



Part Number: BPC 0091340

2-1/2" Square Tube Jack
Side Wind 26" Travel

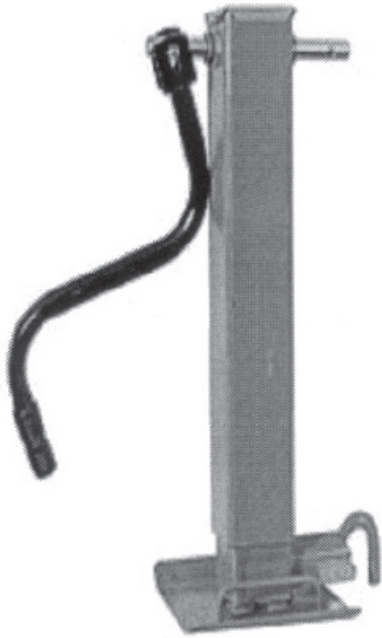
Capacity: 7000lbs
Weight: 12.5lbs



Part No	A Retracted	A Extended	B Retracted	B Extended	C	D	E	F	G
0091340	22.38"	38.0"	36.0"	51.63"	10.0"	2.75"	2.50"	2.25"	2.0"

Barry Stoodley Pty Ltd

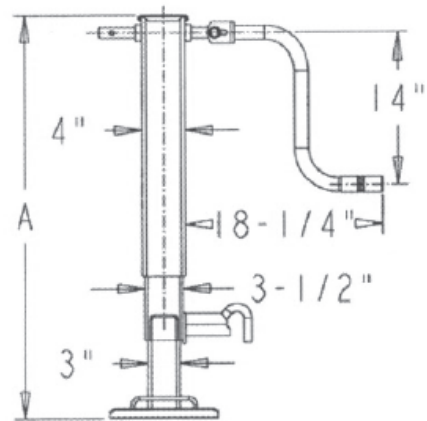
JOCKEY LEGS



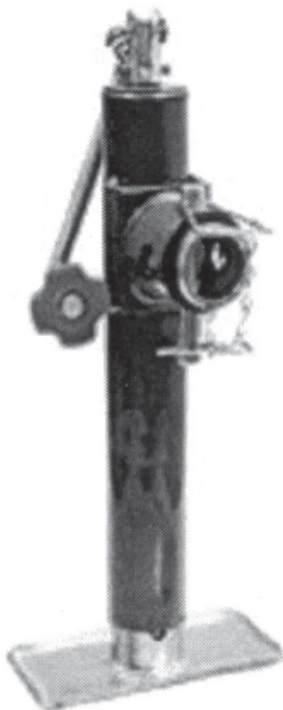
Part Number: BPC 0091405

4-1/2" Heavy Duty Square Tube Jack
Side Wind

Capacity: 12000lbs
Weight: 60lbs



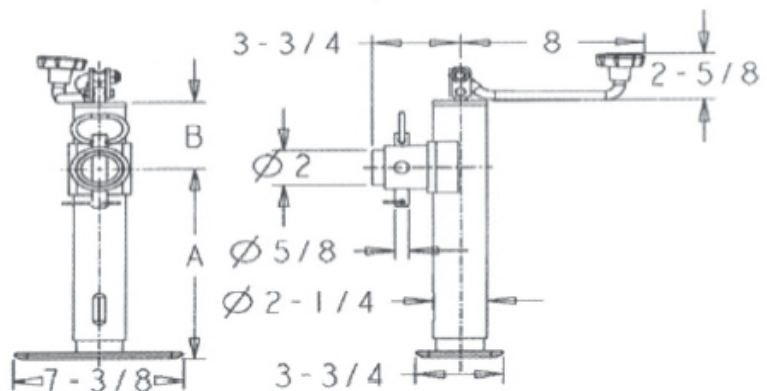
Part No	A Retracted	A Extended	Travel
0091405	27.50"	53.50"	12.50"



Part Number: BPC 0091205 - 0091215

Swivel Jockey Leg
Top Wind 10" Travel

Capacity: 20000lbs
Weight: 11.14lbs



Part No	A Retracted	A Extended	B
0091250	10.75"	21.0"	3.75"
0091215	14.50"	29.0"	9.75"